

# GalvinCare® Shower Kit

## Specification Data Sheet



### Features

- Stainless steel fasteners.
- 15 BSP connection for easy installation.
- 15 BSP connection for all hose types.
- Brass swing arm with stainless steel spring.
- High polished chrome plate finish for easy cleaning and added durability.
- 600mm inlet hose and 1700mm outlet hose.
- Tough white ABS handpiece.
- 900mm x 32mm hygienic stainless steel grab rail.
- Wall inlet elbow features 9L/min flow INTERCHANGE® spigot with separate licenced dual check non-return valve.

### To Specify

The GalvinCare® healthcare range has been chosen to provide safe and reliable showering for both able bodied persons and persons with disabilities. When considering the shower cubicle options in care facilities or bathrooms provisions for assistance must be considered where someone is incapable of performing the cleaning task unaided.

#### Code:

**CLEVA030** - Chrome Plated ClevaCare® Shower Arm Complete with Hygienic Stainless Steel Grab Rail 900 x 32 (High Outlet)



A family  
owned  
Australian  
business

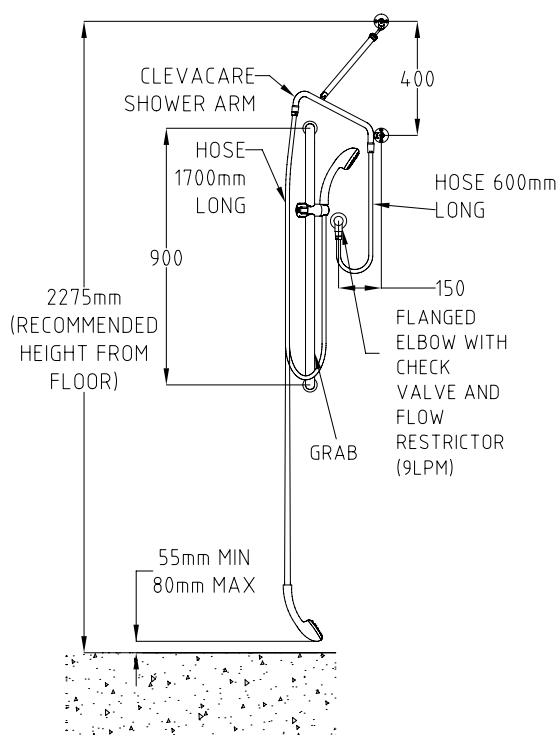


## Performance Standards & Approvals

- AS/NZS 3662 - WaterMark
- WELS 3 Star Rating



## Typical Dimensions



## Technical Information

- Inlet: 1/2" BSP - Female
- Outlet: Handheld Shower
- Operating temperature range (°C): 5 Min - 55 Max
- Operating pressure range (kPa): 150 Min - 500 Max
- Nominal flow rate (LPM): 9 lpm
- Finish: Chrome

## Maintenance & Cleaning

Galvin Specialised products should be cleaned with a soft damp cloth using only mild liquid detergent or soap and water. Do not use cleaning agents containing a corrosive acid, scouring agent or solvents. Do not use cream cleaners, as they are abrasive. Use of unsuitable cleaning agents may damage the surface. Any damage caused in this way will not be covered by warranty.

Regular maintenance should be carried out in accordance with the installation and troubleshooting guides provided with the product, relevant Australian Standards, local authorities and state codes.

## Warranty

Galvin Engineering products are covered under our Manufacturer's Warranty at [www.galvinengineering.com.au](http://www.galvinengineering.com.au). Galvin Engineering products must be installed in accordance with the installation instructions and in accordance with AS3500 and the PCA, relevant Australian Standards and local authorities applicable to product being installed. Water and electrical supply conditions must also comply to the applicable national and/or state standards, failing to comply with these provisions may void the product warranty and affect performance of the product.

Whilst all reasonable care has been taken in compiling the information in this document, the designs, dimensions and products shown are indicative only and should not be relied upon without our prior approval. Due to our policy of continuous development, we reserve the right to alter any details of specifications or products without notice. All information, drawings, technical specifications and product designs remains the property of Galvin Engineering Pty Ltd.

Within Australia: **1300 514 074** Outside Australia: P: +61 (0)8 9338 2344  
F: +61 (0)8 9338 2340  
sales@galvinengineering.com.au  
[www.galvinengineering.com.au](http://www.galvinengineering.com.au)  
ABN: 78 008 719 382

A business unit of

**GalvinEngineering**  
the mark of reliability



PERTH | SYDNEY | MELBOURNE | BRISBANE | ADELAIDE | UNITED STATES OF AMERICA | UNITED KINGDOM | NEW ZEALAND